

AI Hardware Solution

ACCEL-JS1500

NVIDIA® Jetson T5000™ platform for Medical AI imaging application



Features

- Delivering up to 2070 TFLOPS (FP4)
- 14-core Arm Neoverse-V3AE 64-bit CPU
- 128 GB 256-bit LPDDR5X memory, up to 273 GB/s bandwidth
- 1 × QSFP28 (4 × 25GbE) high-speed network interface
- 1 × 5GbE port, 4 × USB 3.2 Gen 2 ports, 2 × M.2 M-key slots
- Dual video output support

Specifications

MAIN SPECIFICATIONS

AI Engine	NVIDIA Jetson T5000 (Blackwell)
CPU	14-core ARM Neoverse-V3AE 64-bit (T5000)
System Memory	128 GB LPDDR5X
Security	TPM 2.0
Storage	Support 1x M.2 M Key NVMe (PCIe by 2)
Front Screen (Optional)	7" LED Panel with P-Cap Touch , 400nits, 1280 x 800
Speaker	2 x 2W speaker
Function Key	5 x Configurable membrane keypad
Power Requirement	Medical adapter 24V 250W
OS Support	JetPack 7.0

I/O

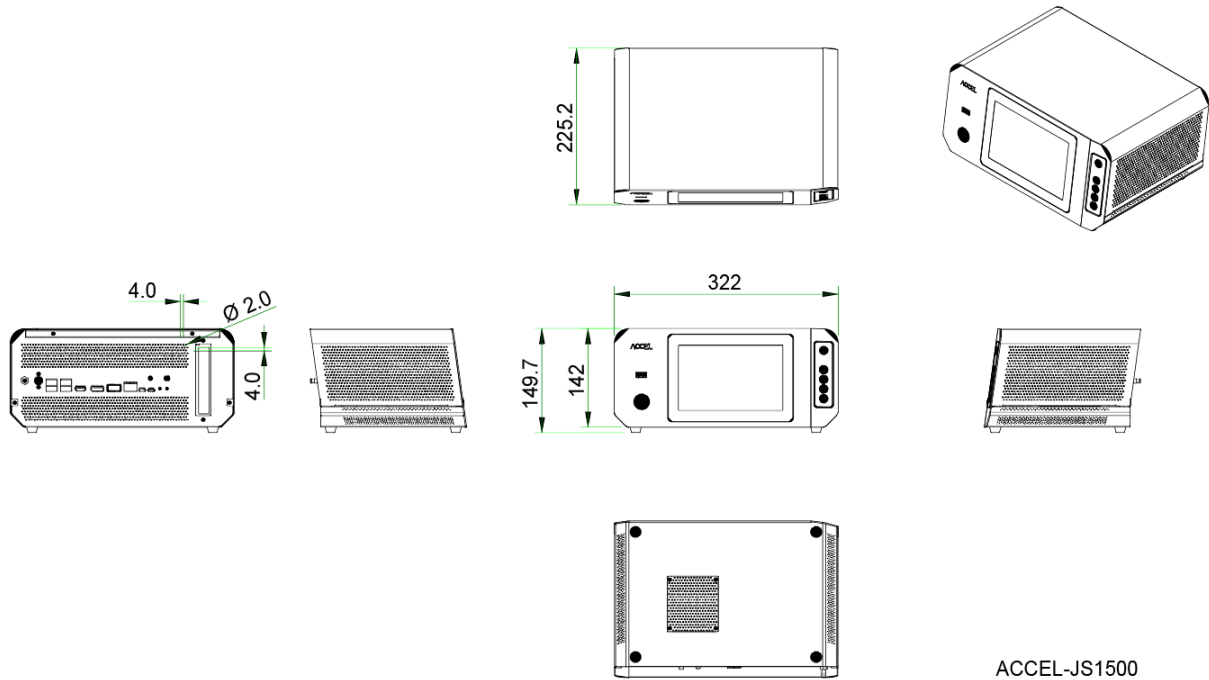
USB	rear side 4 x USB-A (3.2 Gen2) (by hub) 1 x USB-C (3.2 Gen2) (host) 1 x USB-C for RCM (USB 3.2 Gen2) front side 1 x USB type-A (2.0)
Ethernet	1 × QSFP28 (4×25GbE), 1 × RJ45 5Gbps
Video Out	1 x HDMI 2.1 , 1 x DP 1.4a
Audio	Mic-in x 1 , Line out x 1
DC-in	9~28 V DC

MECHANICAL AND ENVIRONMENTAL

Operating Temperature	0°C ~ 35°C(32°F ~ 95°F)
Storage Temperature	-20°C ~ 60°C(-4°F ~ 140°F)
Dimension (WxDxH)	322 x 225 x 149 mm
Package Size	TBD
Gross Weight	TBD
Net Weight	TBD
Certifications	CE : EN 60601-1-2: 2015 + A1: 2021 (V4.1), EN 60601-1: 2007 + A1:2013 +A2:2021 (V3.2) EN 55032:2015/A1:2020 EN55035:2017/A11:2020(ITE) IEC62368-1:2020+A11:2020 (ITE) FCC : Part 15B/ Part 18 UL : ANSI AAMI ES60601-1:2005/A1:2012/A2:2021 cUL : CAN/CSA-C22.2 No. 60601-1:14 (IEC 60601-1:2005+A1:2012+A2:2020,MOD)

NVIDIA® Jetson T5000™ platform for Medical AI imaging application

Dimension / Unit: mm



Ordering Information

- TBD

Optional Accessories

- TBD