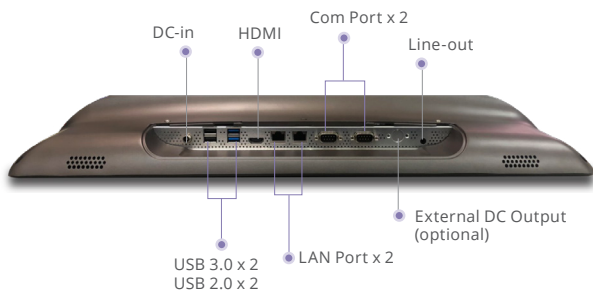
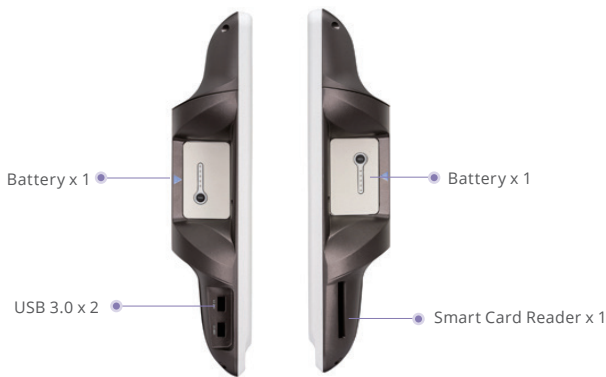


Medical Cart Computer

Venus-223-AMD

21.5" Dual Hot Swappable Battery Medical Cart Computer



Features

- Medical grade certified (EN60601-1/UL60601-1)
- Cleanability with hospital solvents (front IP65/rear IPX1)
- Hot swappable design, support 24/7 run time
- AMD Ryzen™ V1202B / V1605B
- Support remote monitor/control/update (ORION compatible)
- Lightweight design
- Front reading light bar

Specifications

MAIN SPECIFICATIONS

Processor	AMD Ryzen™ V1202B / V1605B
System Memory	Up to DDR4 32GB
OS Support	Microsoft® Windows 10 pro (64bit) Microsoft® Windows 10 IOT Enterprise (64bit) Ubuntu 18.04 LTS
Storage	Up to 512 GB
Wireless Communication	802.11 ac/a/b/g/n + BT 4.0 (optional)
Touch	PCAP, R-TS(optional)
Speaker	2W x2
Security	TPM2.0 SmartCard Reader RFID ISO 15693 / 14443A (optional)

DISPLAY

Display Size	21.5" VA panel
Resolution	1920 x 1080
Max. Colors	16.7M
Contrast Ratio	3000:1
Luminance (cd/m2)	250

I/O

USB	Rear I/O : USB 3.0 x2, USB 2.0 x2 Side I/O : USB 3.0 x2
Video Out	HDMI
COM	COM port x2 (isolated optional)
Audio	Combo Audio port x1
Security	Kensington slot
Ethernet	1kv isolated Gigabit LAN x 2
DC-in	24V 2.5mm DC connector x1

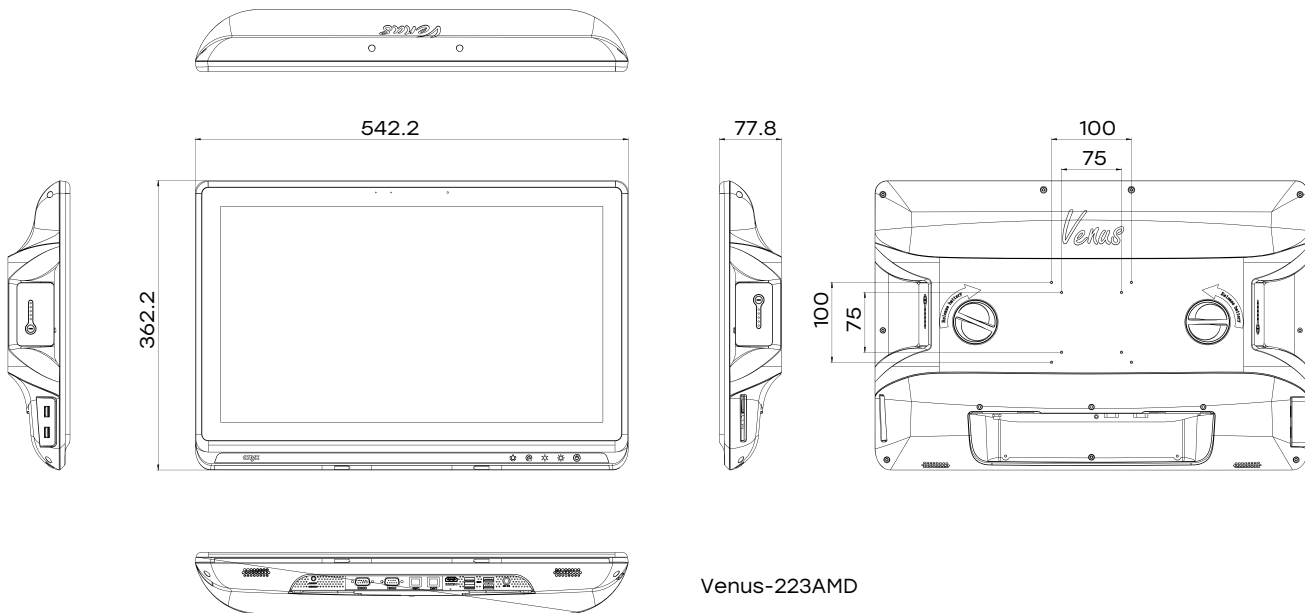
MECHANICAL AND ENVIRONMENTAL

VESA	75/100 mm VESA mount
Operating Temperature	0°C ~ 40°C(32°F ~ 104°F)
Storage Temperature	-20°C ~ 60°C(-4°F ~ 140°F)
Storage Humidity	10%~95%@40°C, non-condensing
Degree of Protection	Front Panel: IP65 ; Rear: IPX1
Dimension	542(L) x 78(W) x 362(H) mm
Net Weight	7kg (15.4 lbs)
Packing Size	645(L) x 210(W) x 513(H) mm
Gross Weight	11kg (24.3 lbs)
Certifications	CE: EN 60601-1-2:2015(V4.0), EN 60601-1:2006/ A1:2013(V3.1) FCC: Part 18 Class B UL: ANSI/AAMI ES60601-1:2012 (V3.1) cUL: CAN/CSA-C22.2 No. 60601-1:2014 (V3.1)

ALL PRODUCT, PRODUCT SPECIFICATIONS AND DATA ARE SUBJECT TO CHANGE WITHOUT NOTICE TO IMPROVE RELIABILITY, FUNCTION OR DESIGN OR OTHERWISE.

21.5" Dual Hot Swappable Battery Medical Cart Computer

Dimension / Unit: mm



Venus-223AMD



Ordering Information

- VENUS-223-G12-A1-0402
Cart Computer.AMD V1202B. 22".4G RAM.SCR.TPM.XL Battery x2

Optional Accessories

- 1255301501
Medical Adaptor. 100-240V/1.0-2.5A 24V/6.25A 150W
- OPM-S02R-A0
RFID Reader Kit
- OPM-C10W-A8
WLAN dual band module kits. INTEL 802.11ac/a/b/g/n+BT
- OPM-C12W-A8
WLAN dual band module kits. Atheros 802.11a/b/g/n + BT 4.0
- UP-L62-A1-1010
6-Slot Charger + 24V/250W adaptor
- UP-P22-A2-1010
2-Slot Charger + 24V Medical adaptor
- OPM-V02C-04
5MP Camera kit with Mic