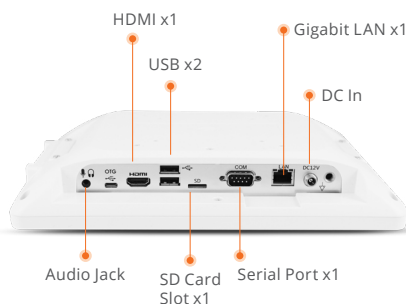


Healthcare Infotainment All In One Computer

ONYX-BE102R

10.1" Fanless Android Bedside Computer



Features

- Rockchip RK3288 Processor
- Android 6.0
- 10.1" Wide Color TFT LCD Touch Terminal
- PCT with Multi-Touch support
- Intuitive Front Access Function Keys
- IP65 Waterproof in front
- Optional VOIP Phone, Webcam and RFID
- EN 60601-1, UL 60601-1

Specifications

MAIN SPECIFICATIONS

| | |
|------------------------|---|
| Processor | Rockchip RK3288 ARM Cortex A17 QC 1.6GHz |
| System Memory | DDR3L 2GB |
| Expansion Interface | Mini PCIe Slot x 1 |
| Storage Disk Drive | 16GB eMMC |
| Security | 13.56MHz RFID Reader (optional) |
| Wireless Communication | 802.11 ac + BT 4.1 |
| Speaker | 2W x2 |
| Camera | 5 Megapixels |
| Function Key | Power, Speaker Volume Up/Down, LCD Brightness Up/Down |
| Power Requirement | DC 12V / Power over Ethernet |
| OS Support | Android 6.0 |

DISPLAY

| | |
|-----------------------|--------------------------------|
| Size / Type | 10.1" LCD (16:9) Color TFT LCD |
| Max. Resolution | 1280 x 800 |
| Luminance(cd/m2)(TYP) | 400 nits |
| Max. Colors | 16.7 M |
| Viewing Angle | 170°(H)/170°(V) |
| Contrast Ratio | 800:1 |
| Touch Screen | Projected Capacitive Touch |

I/O

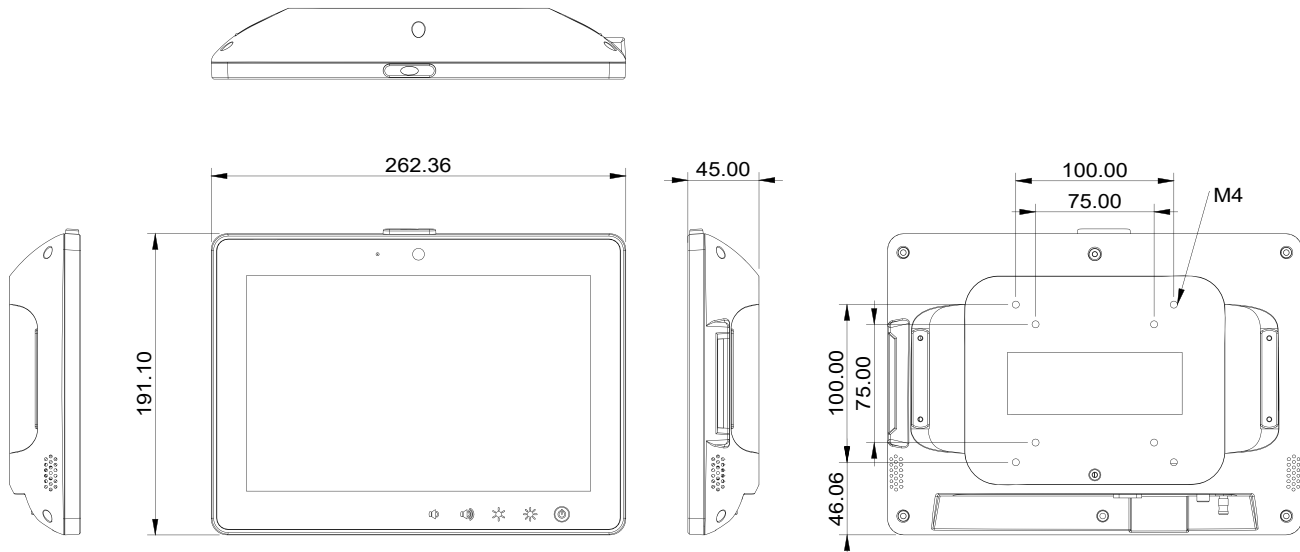
| | |
|--------------|--|
| USB | USB 2.0 (Type-A) x2 |
| Serial Port | RS-232 x1 (Optional) |
| Ethernet | Gigabit LAN x1 (Support Power over Ethernet) |
| Audio | 3.5mm Phone Jack x1 |
| Video | HDMI Out x1 |
| SD Card Slot | Micro SD x1 |
| DC-In | DC-In Jack x1 |

MECHANICAL AND ENVIRONMENTAL

| | |
|-----------------------|---|
| Infection Control | Anti-Bacteria (Optional) |
| Operating Temperature | 0°C ~ 40°C(32°F ~ 104°F) |
| Storage Temperature | -20°C ~ 60°C(-4°F ~ 140°F) |
| Mounting | VESA 75/100 mm |
| Degree of Protection | Front Panel: IP65, Whole Unit: IPX1 |
| Dimension | 262.36 x 191.10 x 45 mm |
| Package Size | 402 x 190 x 335 mm |
| Gross Weight | 3.7 kg (8.2lb) |
| Net Weight | 1.2 kg (2.6lb) |
| Certifications | CE: EN 60601-1-2:2015(V4.0), EN 60601-1:2006/A1:2013(V3.1) FCC: Part 18 Class B UL: ANSI/AAMI ES60601-1:2012 (V3.1) cUL: CAN/CSA-C22.2 No. 60601-1:2014 (V3.1) |

10.1" Fanless Android Bedside Computer

Dimension / Unit: mm



Ordering Information

- ONYX-BE102R-P01-A1-0201
RISC Beside Terminal.RK3288.10.1".C-TS.2GB RAM.16GB eMMC.Camera.POE.Android 6.x
- ONYX-BE102R-P01-A1-0202
RISC Beside Terminal.RK3288.10.1".C-TS.2GB RAM.16GB eMMC.POE.Android 6.x

Optional Accessories

- 1757306039
Medical Adapter.60W.12V/5A
- OPM-T018-A1
VoIP Handset w/o keypads