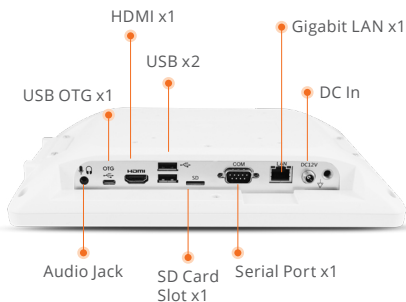


Healthcare Infotainment Solution

ONYX-BE102R

10.1" Fanless Android Bedside Infotainment Touch Terminal



Features

- Rockchip RK3288 Processor
- Android 6.0
- 10.1" Wide Color TFT LCD Touch Terminal
- PCT with Multi-Touch support
- Intuitive Front Access Function Keys
- IP65 Waterproof in front
- Optional VOIP Phone, Webcam and RFID
- EN 60601-1, UL 60601-1

Specifications

Main Specifications

Processor	Rockchip RK3288 ARM Cortex A17 QC 1.6GHz
System Memory	DDR3L 2GB
Expansion Interface	Mini PCIe Slot x 1
Storage Disk Drive	16GB eMMC
Security	13.56MHz RFID Reader (optional)
Wireless Communication	802.11 ac + BT 4.1
Speaker	2W x2
Camera	5 Megapixels
Function Key	Power, Speaker Volume Up/Down, LCD Brightness Up/Down
Power Requirement	DC 12V / Power over Ethernet
OS Support	Android 6.0

Display

Size / Type	10.1" LCD (16:9) Color TFT LCD
Max. Resolution	1280 x 800
Luminance(cd/m2)(TYP)	400 nits
Max. Colors	16.7 M
Viewing Angle	170°(H)/170°(V)
Contrast Ratio	800:1
Touch Screen	Projected Capacitive Touch

I/O

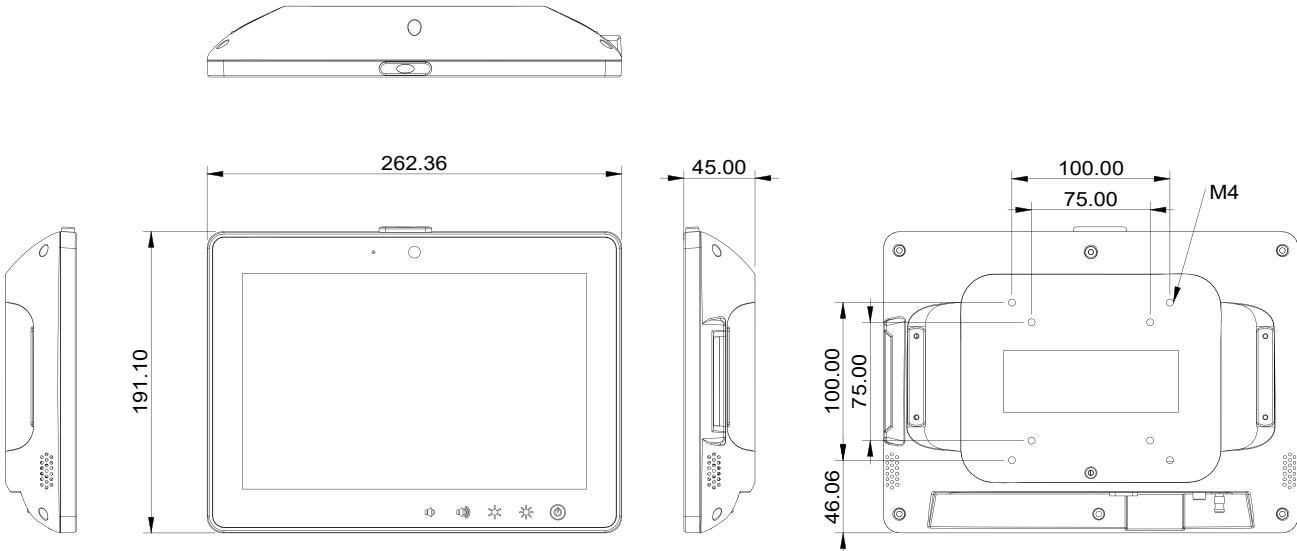
USB	USB 2.0 (Type-A) x2
Serial Port	RS-232 x1 (Optional)
Ethernet	Gigabit LAN x1 (Support Power over Ethernet)
Audio	3.5mm Phone Jack x1 (Optional)
Video	HDMI Out x1 (Optional)
SD Card Slot	Micro SD x1 (Optional)
DC-In	DC-In Jack x1

Mechanical and Environmental

Power Consumption	Anti-Bacteria (Optional)
Operating Temperature	0°C ~ 40°C(32°F ~ 104°F)
Storage Temperature	-20°C ~ 60°C(-4°F ~ 140°F)
Mounting	VESA 75/100 mm
Degree of Protection	Front Panel: IP65, Whole Unit: IP54
Dimension	262.36 x 191.10 x 45 mm
Package Size	402 x 190 x 335 mm
Gross Weight	3.7 kg (8.2lb)
Net Weight	1.2 kg (2.6lb)
Certifications	CE: EN 60601-1-2:2015(V4.0), EN 60601-1:2006/A1:2013(V3.1) FCC: Part 18 Class B UL: ANSI/AAMI ES60601-1:2012 (V3.1) cUL: CAN/CSA-C22.2 No. 60601-1:2014 (V3.1)

10.1" Fanless Android Bedside Infotainment Touch Terminal

Dimension / Unit: mm



Ordering Information

- › ONYX-BE102R-P01-A1-0201
RISC Beside Terminal.RK3288.10.1".C-TS.2GB RAM.16GB eMMC.Camera.POE.Android 6.x
- › ONYX-BE102R-P01-A1-0202
RISC Beside Terminal.RK3288.10.1".C-TS.2GB RAM.16GB eMMC.POE.Android 6.x

Optional Accessories

- › 1757306039
Medical Adapter.60W.12V/5A
- › OPM-T018-A1

Healthcare Infotainment Accessory Selection

OPM-H13A-A1

OPM-H14A-A1

Easi Wall Mount Swivel ARM



Features

- Built in "Gas Spring" for easy movement
- Cable management
- Anti-bacteria coating (optional)

Specifications

Main Specifications

	OPM-H13A-A1	OPM-H14A-A1
Feature	Long ARM	
Tile	20° up and 35° down (display) 20° up and 60° down (arm)	
Mounting Option	Wall Mount Type	
VESA	75/100mm	
Material	Aluminum alloy and plastic cover	
Pivot	180°, 370°, 270° (wall, arm, display)	
Extension	1907mm	
Capacity	1~6Kg (2.2~13.2lbs)	6~12kg (13.2~26.4lbs)

OPM-H15A-A1

OPM-H16A-A1

Easi Ceiling Mount Swivel ARM



Features

- Built in "Gas Spring" for easy movement
- Cable management
- Anti-bacteria coating (optional)

Specifications

Main Specifications

	OPM-H15A-A1	OPM-H16A-A1
Feature	Ceiling Mount	
Tile	20° up and 35° down (display) 20° up and 60° down (arm)	
Mounting Option	Cell Mount Type	
VESA	75/100mm	
Material	Aluminum alloy and plastic cover	
Pivot	270°, 370°, 270° (ceiling, arm, display)	
Extension	1927mm	
Capacity	1~6Kg	6~12kg

Mobile Cart Computer

Healthcare Infotainment Accessory Selection

OPM-H04A

Ergonomic Wall Mount Swivel ARM



Features

- Durable and easy to clean
- Double Gas springs assisted for high vertical movement
- Fully cable managed

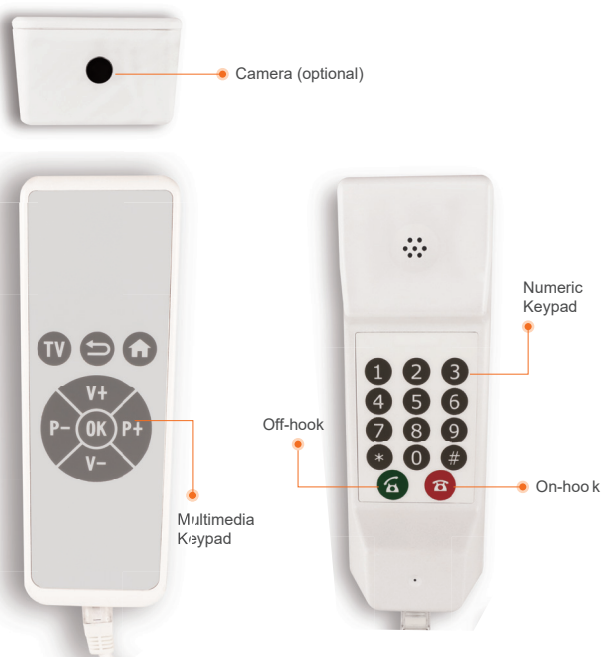
Specifications

Main Specifications

Feature	Long ARM
Tilt	20° up and 40° down
Mounting Option	Wall Mount Type
Material	Aluminum alloy and plastic cover
Arm swivel	180°
Overall reach	1700mm
Capacity	1~8Kg

OPM-T018

Smart VOIP Handset



Features

- Extend Onyx Bedside Services closed to the Patients
- Foil keyboard designed for easy cleaning and infection control
- Integrate the hall sensor for auto detection of on and off hook event
- Lockable socket designed for the lost prevention
- Sample code and API available for easy programming of
- key mapping for different field applications

Specifications

Main Specifications

Interface	USB 2.0 with RJ45 Socket
Connection Cable	41cm Curly Cable with RJ45 Plug
On-hook Key	x1
Off-hook Key	x1
Numeric Keypad	1, 2, 3, 4, 5, 6, 7, 8, 9, 0, *, #
Multimedia Keypad	Home, TV, Back, Channel Up, Channel Down, Volume Up, Volume Down, OK
Hall Sensor	x1
Loudspeaker	x1
Microphone	x1
Camera	2 Megapixels x1 (Optional)
Nurse Call Button	x1 (By Request)
Operating Temperature	0°C ~ 40°C(32°F ~ 104°F)
Storage Temperature	-20°C ~ 60°C(-4°F ~ 140°F)
Storage Humidity	10%~95%@35°C, non-condensing
Dimension	54.6(W) x 160(H) x 34.5(D) mm
Net Weight	Approx. 105g