

Venus-243

Cart Computer.Fanless.R-TS.4GB
RAM.SCR.TPM.Battery x 2

Venus Series Manual v1.6

Mar. 2017

Copyright Notice

This document is copyrighted, 2016. All rights are reserved. The original manufacturer reserves the right to make improvements to the products described in this manual at any time without notice.

The material in this document is for product information only and is subject to change without notice. While reasonable efforts have been made in the preparation of this document to assure its accuracy, ONYX Healthcare Inc., assumes no liabilities resulting from errors or omissions in this document, or from the use of the information contained herein

ONYX Healthcare Inc. reserves the right to make changes in the product design without notice to its users

Before you begin

After unpacking, check that all the following items are included:

- Venus series, mobile cart computer x1
- Lithium battery x2
- Driver disk x1
- 120W/150W power adapter x1 (optional)
- Power cord x 1 (optional)

If any of these items are missing or damaged, you should contact your distributor or sales representative immediately.

Onyx Healthcare Inc.

2F, No.135, LANE 235, PAO CHIAO RD., XINDIAN DIST.,

NEW TAIPEI CITY 231, TAIWAN (R.O.C.)

Tel: 886-2-8919-2188

Fax: 886-2-8919-1699

E-mail: sales@onyx-healthcare.com

Website: www.onyx-healthcare.com

Onyx Healthcare EUROPE B.V.

Ekkersrijt 4002, 5692 DA Son, The Netherlands

Tel : +31-(0)499-462020

Fax: +31-(0)499-462010

Email: eusales@onyx-healthcare.com

e-FAE@onyx-healthcare.com (Technical support)

Onyx Healthcare (Shanghai) INC.

20F, unit D, GEM Building, No.487 Tianlin Road, Shanghai,China

Tel: +86-021-6495 6588

Fax: +86-021-6495 6889

E-mail: cnsales@onyx-healthcare.com

Website: www.onyx-healthcare.com.cn

ONYX Healthcare USA, Inc.

CA Office: 324 W. Blueridge Ave., Orange, CA 92865

Tel: +1-714-792-0774

Fax: +1-714-792-0481

E-mail: Inside Sales Support: USASales@onyx-healthcare.com

Product Inquiry: USASales@onyx-healthcare.com

Website: usa.onyx-healthcare.com

Safety & Warranty

1. **WARNING: To avoid risk of electric shock, this equipment must only be connected to a supply mains with protective earth.**
 2. **WARNING: Do not modify this equipment without authorization of the manufacturer.**
 3. Read these safety instructions carefully.
 4. Keep this user's manual for later reference.
 5. Disconnect this equipment from any AC outlet before cleaning. Do not use liquid or spray detergents for cleaning. Use a damp cloth.
 6. For pluggable equipment, the power outlet must be installed near the equipment and must be easily accessible.
 7. Keep this equipment away from humidity.
 8. Put this equipment on a reliable surface during installation. Dropping it or letting it fall could cause damage.
 9. The openings on the enclosure are for air convection. Protect the equipment from overheating. **DO NOT COVER THE OPENINGS.**
 10. **Make sure the voltage of the power source is correct before connecting the equipment to the power outlet.**
 11. Position the power cord so that people cannot step on it. Do not place anything over the power cord.
 12. All cautions and warnings on the equipment should be noted.
 13. If the equipment is not used for a long time, disconnect it from
-

- the power source to avoid damage by transient over-voltage.
14. Never pour any liquid into an opening. This could cause fire or electrical shock.
 15. Never open the equipment. For safety reasons, only qualified Service personnel should open the equipment.
 16. If any of the following situations arises, get the equipment checked by service personnel:
 - a. The power cord or plug is damaged.
 - b. Liquid has penetrated into the equipment.
 - c. The equipment has been exposed to moisture.
 - d. The equipment does not work well, or you cannot get it to work according to the user manual.
 - e. The equipment has been dropped and damaged.
 - f. The equipment has obvious signs of breakage.
 17. **DO NOT LEAVE THIS EQUIPMENT IN AN UNCONTROLLED ENVIRONMENT WHERE THE STORAGE TEMPERATURE IS BELOW -20° C (-4°F) OR ABOVE 60° C (140° F). IT MAY DAMAGE THE EQUIPMENT.**
 18. **External equipment intended for connection to signal input/output or other connectors, shall comply with relevant UL / IEC standard (e.g. UL 1950 for IT equipment and ANSI/AAMI ES 60601-1: 2005 AND CAN/CSA-C22.2 No. 60601-1:08 / IEC 60601 series for systems – shall comply with the standard IEC 60601-1-1, Safety requirements for medical electrical systems. Equipment not complying with UL 60601-1 shall be kept outside the patient environment, as defined in the standard. Any**
-

person who connects external equipment to signal input, signal output, or other connectors has formed a system and is therefore responsible for the system to comply with the standard IEC 60601-1, safety requirements for medical electrical systems.

Caution:

It may cause the danger of explosion if battery is incorrectly replaced. Replace only with same or equivalent type recommended by the manufacturer.

Intended use

Venus series was applied to nursing cart computer

Classification

1. Degree of protection against electric shock: not classified
2. Mode of operation: Continuous
3. Type of protection against electric shock: Class I equipment
4. No Applied Part, No AP/APG


FCC

Warning!








This device complies with Part 18 FCC Rules. Operation is subject to the following two conditions: (1) this device may not cause harmful interference, and (2) this device must accept any interference received including interference that may cause undesired operation.

UL Module Description

 The logo features the word "CLASSIFIED" in an arc at the top, a central circle containing "UL", and the letters "C" on the left and "US" on the right.	<p>VENUS-19x/22x modules are developed to suitable for the Classification Mark requirement</p>
--	--

Safety Symbol Description

The following safety symbols are the further explanations for your reference.

	<p>Medical equipment with respect to electric shock, fire and mechanical hazards only in accordance with ANSI/AAMI ES 60601-1: 2005 AND CAN/CSA-C22.2 No. 60601-1:08</p>
	<p>Attention, consult ACCOMPANYING DOCUMENTS.</p>
	<p>Stand-by</p>
	<p>Ground wire Protective Ground wire.</p>
	<p>Equipotentiality</p>

Contents

Chapter 1 General Information

1.1 Introduction	14
1.2 Feature	15
1.3 Specification	16
1.4 Dimension	20

Chapter 2 Hardware Installation

2.1 Safety Precautions.....	
2.2 Quick Tour of the Venus-192/222	
2.3 Turn On and Boot up into Windows.....	
2.4 Turn off.....	
2.5 External Output.....	

Chapter 3 Driver Installation

3.1 Driver installation.....	
3.2 SBMS introduction.....	

Appendix A Miscellanea

A.1 General Cleaning Tips.....	
A.2 Cleaning Tools	
A.3 Scrap Computer Recycling	

Chapter

1

General Information

1.1 Introduction

The Venus Series Mobile cart computer are based on Intel® processor, It accommodates one SSD and 4GB DDR RAM.

The Venus Series both offer wide range size with high brightness backlight LCD display with high resolutions.

Fan-less and no vent design, both unique features of Venus Series reduces the risk of cross-infection dramatically and also makes daily cleaning quickly and safe. Germs have no corners to hide in while cleaning because of smooth and seamless surface design.

Venus Series owns side mount two USB 3.0 ports, and a smart card reader to support high speed data transfer and ID check by smart card reader.

Dual hot swappable lithium-ion battery innovation design provides stable power to system for standing 6 hours of running. The Venus Series is definitely your perfect choices.

1.2 Feature

- Equipped Swappable Batteries x2, support 24hr run-time.
- Hospital IT Management Software Package Compatible (ORION)
- Fully cable-less, easy deployment
- Reading light bar in front
- High Speed USB 3.0 Ports
- 2M/5MP Pixels Camera (optional)
- Lightweight design with Magnesium/Aluminum alloy rear cover
- Fan-less design make Venus more reliable.

1.3 Specification

Main Specification

	Venus-xx3	Venus-xx2
Processor	Intel® Skylake Dual-Core i7	Intel® Quad-Core J1900
System Memory	DDR4 up to 32GB	DDR3L up to 8G
OS Support	Microsoft® Windows 8.1 (32bit/64bit) Microsoft® Windows 10 (32bit/64bit) Ubuntu 14.04 LTS IGEL (thin client solution)	Microsoft® Windows 7 (32bit/64bit) Microsoft® Windows 8.1 (32bit/64bit) IGEL (thin client solution)
Graphics	Intel® HD Graphics 520	Intel® HD Graphics
Storage	SSD up to 512G	
Wireless Communication	802.11 ac/a/b/g/n + BT 4.0 (optional)	
Camera	2MP/5MP camera (optional)	
Touch	PCT (optional), R-TS	
Speaker	2W x2	
Security	TPM 2.0 (Trusted Platform Module), Smart Card Reader, RFID ISO 15693/14443A (optional)	
Auto Brightness	Light sensor	

Display

Display Size	19" / 21.5" / 23.8" VA panel
Resolution	1280 x 1024 / 1920 x 1080 / 1920 x 1080
Max. Colors	16.7M
Contrast Ratio	3000:1
Luminance (cd/m2)	250

I/O

USB	Rear I/O : USB 3.0 x2, USB 2.0 x2 Side I/O : USB 3.0 x2	Rear I/O : USB 3.0 x2, USB 2.0 x2, Isolated USB x1 Side I/O : USB 3.0 x2
Video Out	HDMI 1.4 x1	DP x1
COM	COM port x1	Isolated COM port x2
Audio	Combo audio port x1	Mic-in x1, Audio-out x1
Security	Kensington slot	N/A
Ethernet	Gigabit LAN x1	
DC-in	24V DC-in x1	

Mechanical and Environmental

VESA	75/100 mm VESA mount
Operating Temperature	0°C ~ 40°C(32°F ~ 104°F)
Storage Temperature	-20°C ~ 60°C(-4°F ~ 140°F)
Storage Humidity	10%~95%@35°C, non-condensing
Dimension	542(L) x 77(W) x 362(H) mm
Net Weight	7kg (15.4 lbs)
Packing Size	680(L) x 270(W) x 530(H) mm
Cross Weight	10.5kg (23.15 lbs)
Certification	CE/FCC Class B, UL60601-1, EN60601-1

Adaptor

Model	EDAC EM11701F / ADAPTOR ATM120-P240
Input	100-240V AC, 50-60Hz
Output	24V, 6.25A / 24V, 5A

Battery

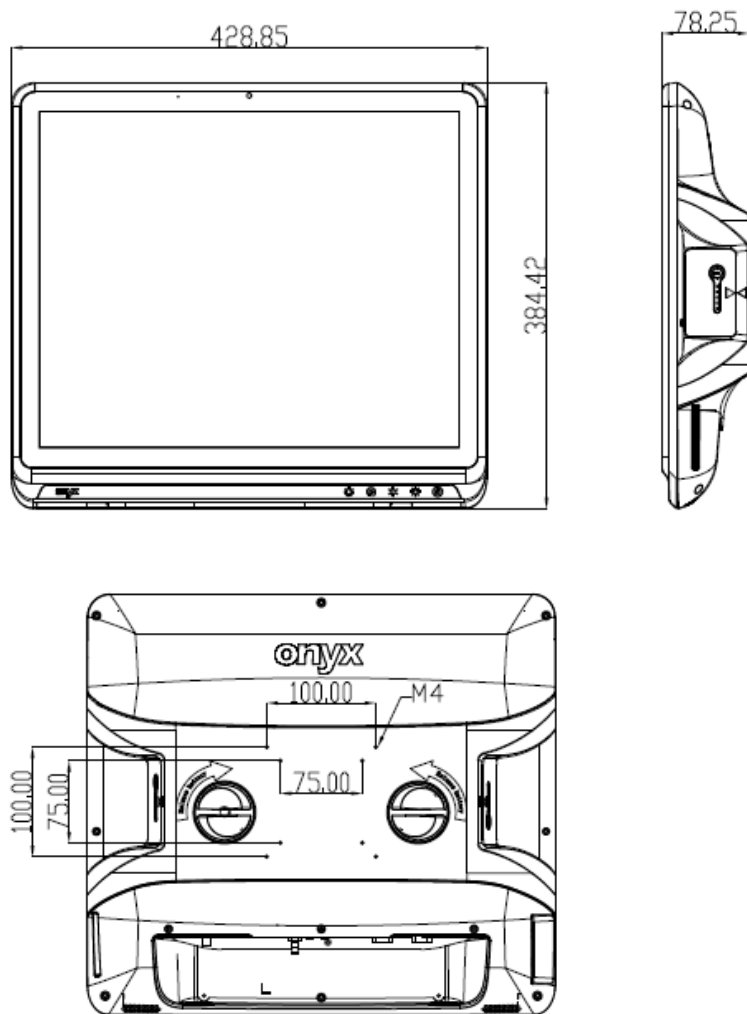
Model	GALLOPWIRE OPM-P02T
Type	3S3P 9 cell Lithium-ion battery
Capacity	8550 mAh
Output Voltage	10.95V

Note:

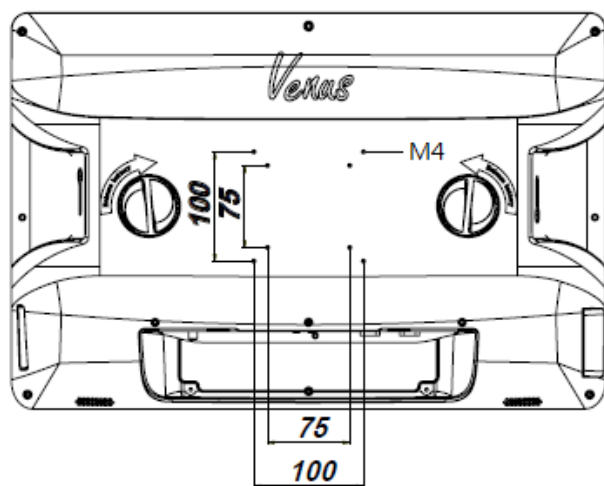
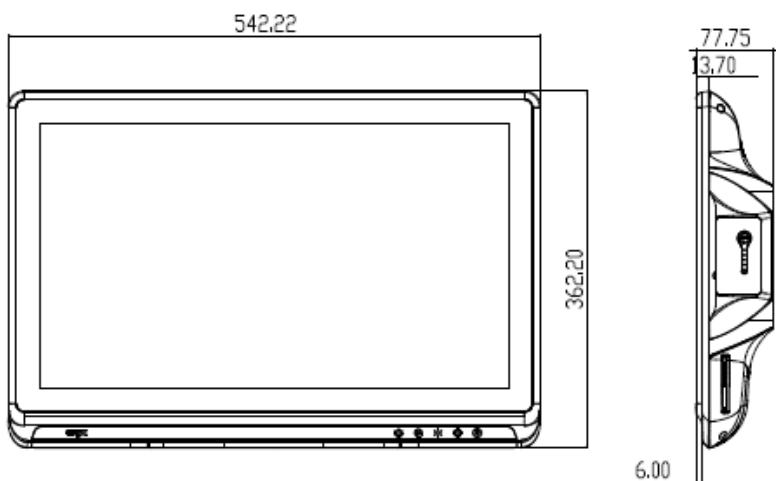
All ONYX LCD products are manufactured with High precision technology. However, there are a small number of defective pixels in all LCD panels that are not able to change color. This is a normal occurrence for all LCD displays from all manufacturers and should not be noticeable or objectionable under normal operation. All LCD panels are qualified for industry standard conditions in the following: total 7 dead pixels on a screen or if there are 3 within 1 inch square area of each other on the display.

1.4 Dimension

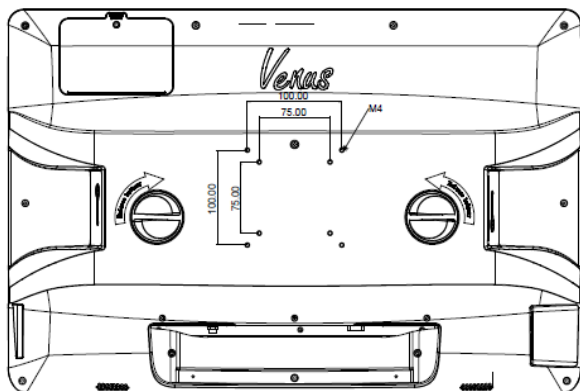
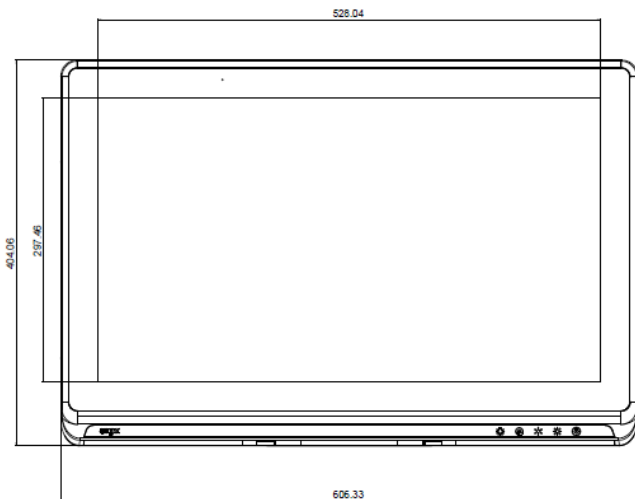
VENUS-19x



VENUS-22x



VENUS-24x



Chapter

2

Hardware Installation

2.1 Safety Precautions

Warning!



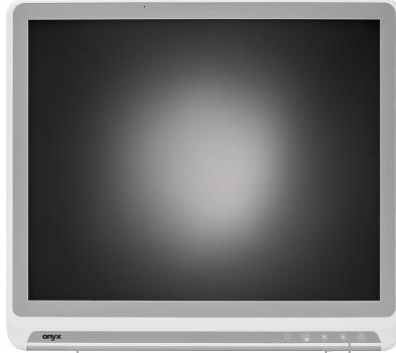
Always completely disconnect the power cord from your board whenever you are working on it. Do not make connections while the power is on, because a sudden rush of power can damage sensitive electronic components.

Caution!






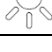

Always ground yourself to remove any static charge before touching the board. Modern electronic devices are very sensitive to static electric charges. Use a grounding wrist strap at all times. Place all electronic components on a static-dissipative surface or in a static-shielded bag when they are not in the chassis

2.2 Quick Tour of the VENUS-19x / 22x



LED indicator: 3-color-display mode

- Blink Purple – Battery Capacity 0%
- Purple light - Battery Capacity less than 20%
- Orange light - Battery Capacity between 21~39%
- Green light - Battery Capacity more than 40%
- Blink Blue - Charging

	Single touch for reading light on/off ● Blue : Reading light ON ● Orange : Reading light OFF
	Single touch for screen on/off ● Blue : Touch ON ● Orange : Touch OFF
	Single touch for decreasing LCD brightness
	Single touch for increasing LCD brightness
	Single touch to force the system to enter sleep mode. Longer press by 4 seconds to shut down the system. ● Blue : working state ● Orange : sleep state



Smart Card Reader

USB 3.0 x2



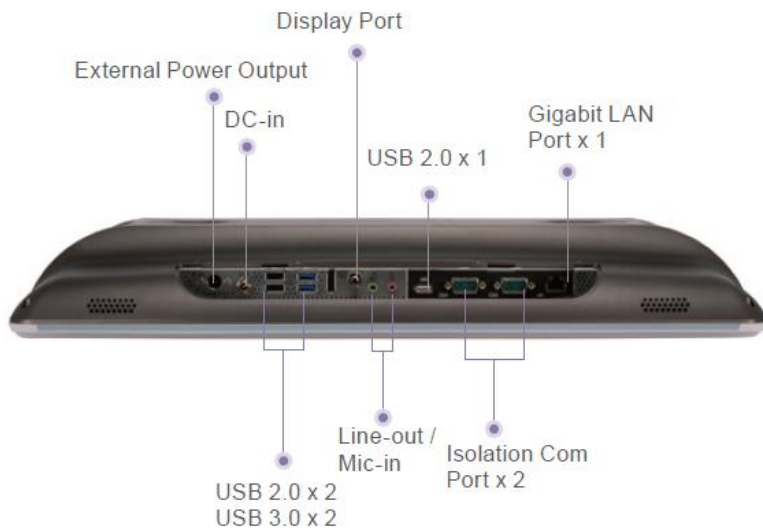
Battery x 1

USB 3.0 x 2

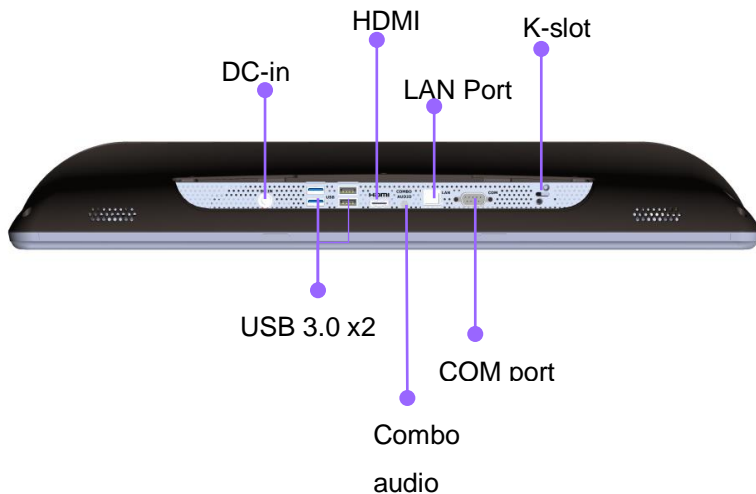
Battery x 1

Smart Card Reader x 1

Venus-xx2



Venus-xx3



2.3 Turn On and Boot up into Windows OS

This section is for Windows operating system only. If you are installing a different operating system, please contact your vendor for installation details.

Before you start to install OS, you need to check the built-in battery level light to make sure the light is not purple color.

Your VENUS will begin loading Windows OS once you push the power button to turn power on. After less than one minute, Windows desktop screen will appear.

You can select the programs from the start menu in the left-down corner of the desktop screen.

2.4 Turn off

Turning off VENUS properly is important for system reliability. There are two ways to turn off the system.

1. On the start menu, click "Shut down" and select "OK"
2. Push the power button and then the system will shut down automatically

2.5 External Output

CAUTION! Hazardous voltages can cause shock, burns or death.

CAUTION! VENUS external output can provide 3 different voltages (9V/1A, 12V/1A, 24V/0.5A). The output voltage was controlled by connecting different customize DC cable. Please check carefully to ensure applications used are within the available voltage/current. Any attempt of misuse to overload will trigger the overload protection and may cause damage to both unit and application used. Onyx will not be responsible for any damaged caused by misusage of the product

CAUTION! DO NOT USES MORE THAN ONE VOLTAGE AT THE SAME TIME. Please choose only one voltage for your external output.

CAUTION! VENUS external output can only connect with Onyx customizes DC cable. Please choose and attach the correct Onyx customize DC cable for your device.

CAUTION! DO NOT USE FOR MEDICAL OR LIFE SUPPORT EQUIPMENT! Under no circumstances this unit should be used for medical applications involving life support equipment and/or patient care.

CAUTION! DO NOT plugs the VENUS external output into its own input.

Chapter

3

Driver Installation

3.1 Driver installation

There are several installation ways depending on the driver package under different Operating Systems.

Please follow the sequence below to install the drivers:

Step 1 – Install Chipset Driver

Step 2 – Install Graphic Driver

Step 3 – Install LAN Driver

Step 4 – Install Audio Driver

Step 5 – Install USB 3.0 Driver

Step 6 – Install Touch Driver

Step 7 – Install WIFI + Bluetooth Driver (Optional)

Step 8 – Install RFID Driver (Optional)

Step 9 – Install TPM Driver

Appendix

A

Miscellanea

A.1 General Cleaning Tips

You may need the following precautions before you begin to clean the computer. When you clean any single part or component for the computer, please read and understand the details below fully.

1. Never spray or squirt the liquids directly onto any computer component. If you need to clean the device, please rub it with a piece of dry cloth.
2. Be cautious of the tiny removable components when you use a vacuum cleaner to absorb the dirt on the floor.
3. Turn the system off before you start to clean up the component or computer.
4. Never drop the components inside the computer or get circuit board damp or wet.
5. Be cautious of all kinds of cleaning solvents or chemicals when you use it for the sake of cleaning. Some individuals may be allergic to the ingredients.
6. Try not to put any food, drink or cigarette around the computer.

A.2 Cleaning tools

Although many companies have created products to help improve the process of cleaning your computer and peripherals users can also use household items to clean their computers and peripherals. Below is a listing of items you may need or want to use while cleaning your computer or computer peripherals.

Keep in mind that some components in your computer may only be able to be cleaned using a product designed for cleaning that component, if this is the case it will be mentioned in the cleaning tips.

- **Cloth** - A piece of cloth is the best tool to use when rubbing up a component. Although paper towels or tissues can be used on most hardware as well, we still recommend you to rub it with a piece of cloth.
- **Water or 70% rubbing alcohol** – You may moisten a piece of cloth a bit with some water or rubbing alcohol and rub it on the computer. Unknown solvents may be harmful to the plastics parts.
- **Vacuum cleaner** - Absorb the dust, dirt, hair, cigarette particles, and other particles out of a computer can be one of the best methods of cleaning a computer. Over time these items can restrict the airflow in a computer and cause circuitry to corrode.

- **Cotton swabs** - Cotton swabs moistened with rubbing alcohol or water are excellent tools for wiping hard to reach areas in your keyboard, mouse, and other locations.
- **Foam swabs** - Whenever possible it is better to use lint free swabs such as foam swabs.

Note:

We strongly recommended that you should shut down the system before you start to clean any single components.

Please follow the steps below.

1. Close all application programs.
2. Close operating software.
3. Turn off power switch
4. Remove all device
5. Pull out power cable

A.3 Scrap Computer Recycling

If the computer equipments need the maintenance or are beyond repair, we strongly recommended that you should inform us as soon as possible for the suitable solution. For the computers that are no longer useful or work well, please contact with worldwide distributors for recycling.

The worldwide distributors show on the following website:

<http://www.onyx-healthcare.com.tw/Contact.php>

Note:

Computer and battery pack should follow the national requirement to dispose unit