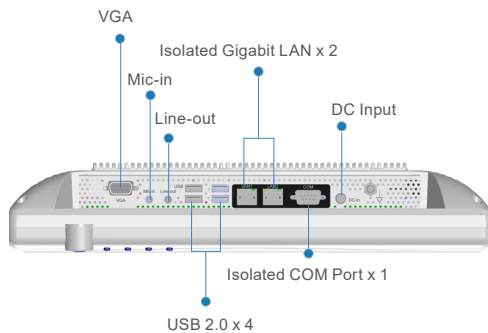
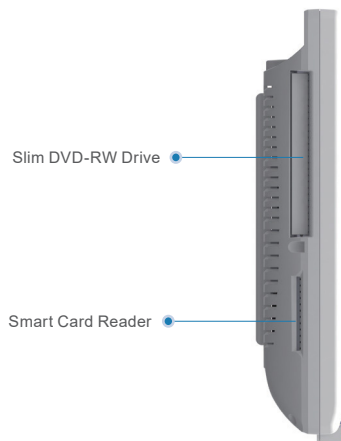


Fanless Slim Panel HIT Solution

ONYX-1731

17" Fanless J1900 Quad Core Slim Medical Panel PC



Features

- Intel Celeron J1900 2.42GHz Quad Core Processor
- 17" High Brightness 350 nits SXGA LCD
- Supports DDR3L SODIMM up to 8GB
- 5-wire Resistive Touch Screen
- COM/LAN Medical Isolation
- Trusted Platform Module / Smart Card Reader(optional) / RFID Reader(optional)
- 802.11ac/a/b/g/n Wireless LAN(optional)
- +12V to +24V wide range DC input

Specifications

Main Specifications

Processor	Intel® Celeron J1900 Quad Core 2.42GHz
System Memory	Supports DDR3L SODIMM up to 8GB
OS Support	Windows® 7, Windows® 8.1, Windows® 10, Linux®
Expansion Interface	Mini Card x 1
Storage Disk Drive	mSATA SSD x 1, Slim DVD-RW Driver x 1 (optional)
Security	Trusted Platform Module, Smart Card Reader(optional), RFID Reader(optional)
Function Key	Speaker Volume Up/Down, LCD Brightness Up/Down
Wireless Communication	802.11ac/a/b/g/n(optional), Bluetooth 4.0(optional)
Speaker	3W x 2
Power Requirement	DC 12~24V

Display

Size	17" LCD
Resolution	1280 x 1024
Luminance	350 nits
View Angle	170°(H)/160°(V)
Contrast Ratio	1000:1
Back Light Life Time	> 30,000 hours
Touch Screen	5-wire Resistive

I/O

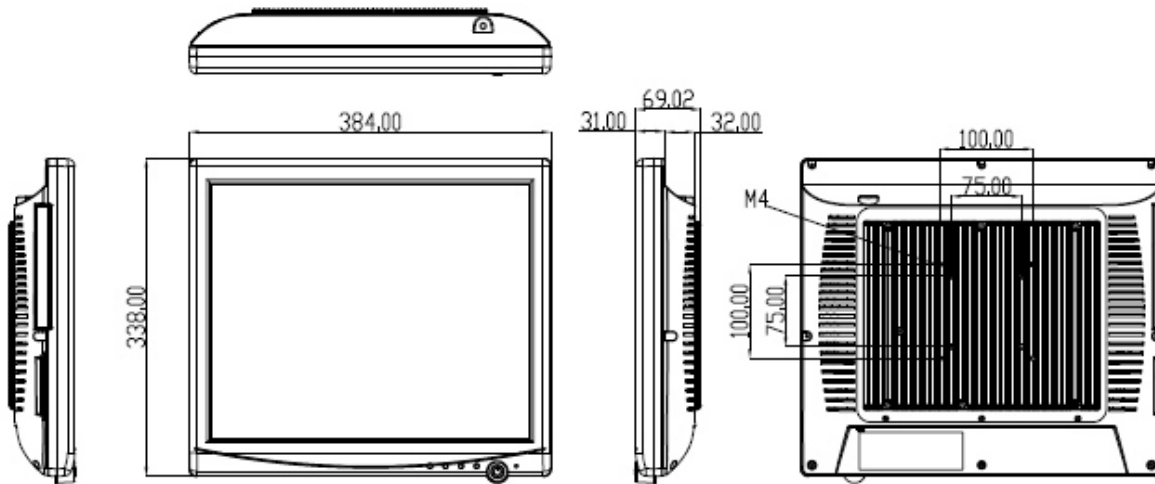
USB	USB 2.0 x 4
Serial Port	Isolated RS-232 x 1
Ethernet	Isolated Gigabit LAN x 2
Video Out	VGA x 1
Audio	Mic-in, Line-out

Mechanical and Environmental

Power Consumption	Full loading: 21 Watts
Operating Temperature	0°C ~ 40°C(32°F ~ 104°F)
Storage Temperature	-20°C ~ 60°C(-4°F ~ 140°F)
Mounting	VESA 75/100 mm
Degree of Protection	IP65 in the front, IPX1
Net Weight	5.6kg (12.32lb)
Package Dimension (W x D x H)	630 x 250 x 640 mm
Certifications	CE: EN 60601-1-2:2015(V4.0), EN 60601-1:2006/A1:2013(V3.1) FCC: Part 18 Class B UL: ANSI/AAMI ES60601-1:2012 (V3.1) cUL: CAN/CSA-C22.2 No. 60601-1:2014 (V3.1)

※ All product specifications are subject to change without notice

Dimension / Unit: mm



Ordering Information

- » ONYX-1731DTT-A1-1010
Slim Medical Panel PC, 17" LCD, Intel Celeron J1900, 2GB RAM, DC 12~24V, Resistive Touch
- » ONYX-1731DTT-A2-1010
Slim Medical Panel PC, 17" LCD, Intel Celeron J1900, 2GB RAM, DC 12~24V, Resistive Touch,RFID Reader

Optional Accessories

- » 1757306039
Medical Power Adapter, 60W, 12V
- » OPM-T008-A1
Smart Card Reader Kit
- » OPM-T007-A4
Slim Slot-in DVD-RW Drive
- » OPM-C16W-A0
WLAN Kit, IEEE 802.11a/b/g/n + Bluetooth 4.0