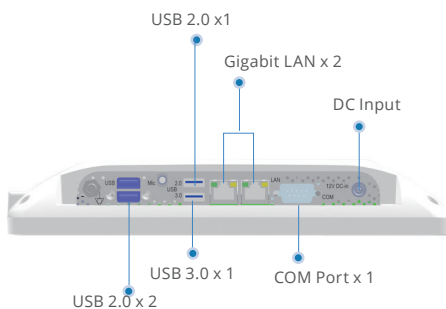
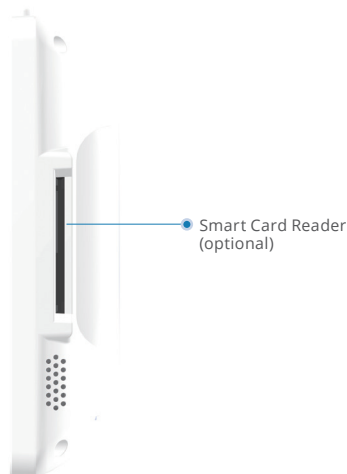
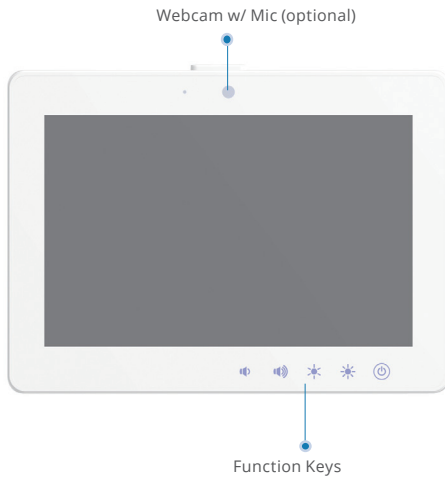


## Fanless Slim Panel HIT Solution

# ONYX-1022

10.1" Fanless J1900 Quad Core Slim Medical Panel PC



## Features

- Intel® Celeron J1900 2.42GHz Quad Core Processor
- 10.1" 1280x800 LCD
- Supports DDR3L SODIMM up to 8GB
- Capacitive Multi-Touch Screen/ 5-Wire Resistive Touch Screen
- Easy Cleaning Flat Screen
- Two Gigabit Ethernet
- One High Speed USB 3.0 Port
- Trusted Platform Module / Smart Card Reader(optional) / RFID Reader(optional)
- 2.0M Pixels Camera with Mic(optional)
- +12V DC input

## Specifications

### Main Specifications

Processor	Intel® Celeron J1900 Quad Core 2.42GHz
System Memory	Supports DDR3L SODIMM up to 8GB
Expansion Interface	Mini Card x 1
Storage Disk Drive	Half Size mSATA SSD x 1
Security	Trusted Platform Module, Smart Card Reader(optional), RFID Reader(optional)
Wireless Communication	802.11ac/a/b/g/n(optional), Bluetooth 4.0(optional)
Speaker	2W x 2
Function Key	Speaker Volume Up/Down, LCD Brightness Up/Down
Power Requirement	DC 12V
OS Support	Windows 7, Windows 10, Linux

### Display

Size / Type	10.1" LCD
Max. Resolution	1280 x 800
Luminance(cd/m2)(TYP)	300 nits
Viewing Angle	170°(H)/170°(V)
Contrast Ratio	1300:1
Back Light Life Time	25,000 hours
Touch Screen	Capacitive Multi-Touch/ 5-Wire Resistive Touch

### I/O

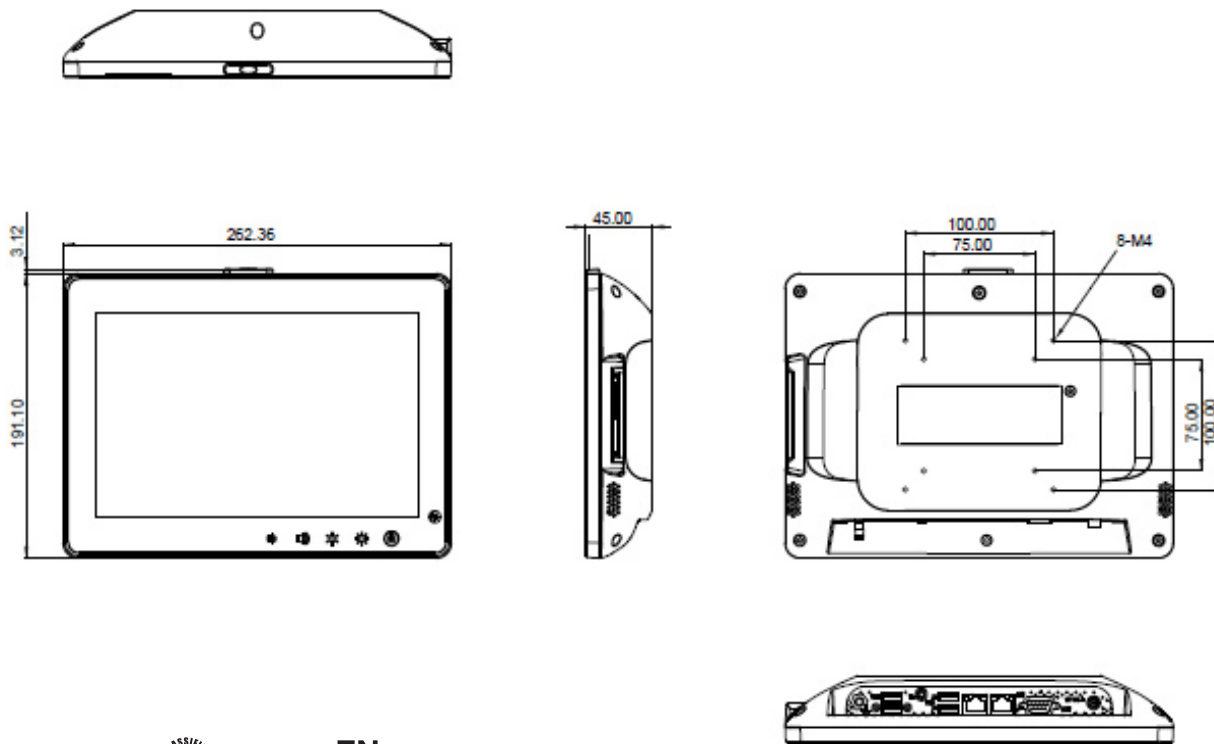
USB	USB 3.0 x 1, USB 2.0 x 3
Serial Port	RS-232 x 1
Ethernet	Gigabit LAN x 2

### Mechanical and Environmental

Power Consumption	Full loading: 20 Watts
Operating Temperature	0°C ~ 40°C(32°F ~ 104°F)
Storage Temperature	-20°C ~ 60°C(-4°F ~ 140°F)
Mounting	VESA 75/100 mm
Degree of Protection	IP65 in the front, IPX1
Dimension	262 x 191 x 45 mm
Package Size	402 x 190 x 335 mm
Gross Weight	3.7kg (8.2lb)
Net Weight	1.2kg (2.6lb)
Certifications	CE: EN 60601-1-2:2015(V4.0), EN 60601-1:2006/A1:2013(V3.1) FCC: Part 18 Class B UL: ANSI/AAMI ES60601-1:2012 (V3.1) cUL: CAN/CSA-C22.2 No. 60601-1:2014 (V3.1)

## 10.1" Fanless J1900 Quad Core Slim Medical Panel PC

### Dimension / Unit: mm



### Ordering Information

- » ONYX-1022ST-A1-1110  
Slim Medical Panel PC, 10.1" 1280x800 LCD, Intel Celeron J1900, 2GB RAM, DC 12V, Capacitive Touch
- » ONYX-1022ET-A1-1110  
Slim Medical Panel PC, 10.1" 1280x800 LCD, Intel Celeron J1900, 2GB RAM, DC 12V, Resistive Touch

### Optional Accessories

- » 1757306039  
Medical Power Adapter, 60W, 12V
- » OPM-C16W-A8  
WLAN Kit, IEEE 802.11a/b/g/n + Bluetooth 4.0
- » OPM-T010-A2  
Smart Card Reader Kit
- » OPM-T011-A2  
2M Pixels Camera with Mic Kit

# Panel PC Accessory Selection

## OPM-H02S Desktop Stand



### Features

- » Apply to 10"~22" Slim Medical Panel PC, Medical Display.
- » Spinning around high and mighty; able to bear 5kg to 12kg.
- » Providing 2 mounting space in coordination with VESA standard: 75mm x 75mm and 100mm x100mm

### Ordering Information

- » TF-OPM-H02S-A0  
Desktop Stand, Black Color, VESA 75/100, 230mm Height
- » TF-OPM-H02S-A1  
Desktop Stand, Black Color, VESA 75/100, 280mm Height

## OPM-H01S Desktop Stand



### Features

- » Apply to 15" ~ 24" Medical Station, Slim Medical Panel PC, Medical Display.
- » Spinning around high and mighty; able to bear 5 kg to 15kg.
- » Providing 2 mounting space in coordination with VESA standard:75mm x 75mm and 100mm x100mm
- » The angle of view was designed adjustable for clear vision.
- » Flexible angle create brand-new atmosphere of monitors.
- » Up-to-date choice in the multimedia era.
- » Show yourself and break the limit of environment.
- » Regulate as you want to make more space.

### Ordering Information

- » TF-OPM-H01S  
Desktop Stand, Black Color, VESA 75/100, 265mm to 330mm Height

### OPM-H10A Gas Spring Arm



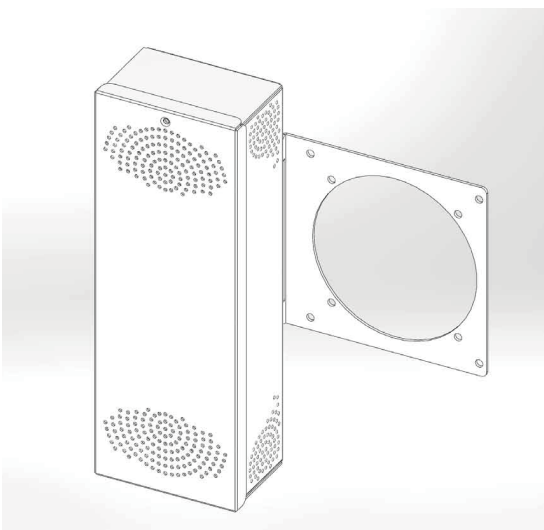
#### Features

- » Clamp type can fit all kind of mobile car.
- » Weight capacity : 2~8KG (4.4~17.6lb)
- » Clockwise / counterclockwise rotation

#### Ordering Information

- » OPM-H10A-00  
VESA 75/100 Clamp type spring arm (Silver)

### OPM-H12A VESA Mount Power Adapter Holder



#### Features

- » Design for 1255301202 & 1255301204 with 120W
- » Apply to 15" to 24" Medical Station, Slim Medical Panel PC
- » Providing 2 mounting spaces in coordination with VESA standard: 75mm x 75mm and 100mm x 100mm

#### Ordering Information

- » OPM-H12A-A1  
VESA mount power adapter holder