

Mobile Medical Assistant MD116/MD116I

12" Rugged EMS Tablet



Features

- Intel® Apollo Lake processor / Sky Lake U processor
- Dual hot-swappable batteries for 24/7 operation
- Dual smart card readers for multiple-care workflow
- Standard USB Type-A and RJ45 for easy connection to medical devices
- IP54 certified & 3 feet drop resistant
- ORION client compatible
- Instant vehicle docking system
- Automotive Directive and EN1789 certified for ambulances/medical transportation vehicles

Specifications

Main Specifications	MD116	MD116I
Processor	Intel® Apollo Lake Processor	Intel® Sky Lake U Processor
System Memory	DDR3L SO-DIMM x1, Default 4 GB (Up to 8 GB)	DDR4 SO-DIMM x1, Default 4 GB (Up to 8 GB)
OS Support	Microsoft® Windows 10 IOT LTSCB	
Storage	M.2 Interface x1, Default 64 GB	
Wireless Communication	802.11 a/b/g/n + BT4.0 (Optional)	
Camera	2 MP (Front) / 5 MP (Rear)	
Touchscreen	Projected Capacitive Touchscreen, w/Gorilla Glass	
Digital Accelerometer	ADI ADXL345	
Ambient Light Sensor	TAOS TSL2581	
LTE+GPS	Telit LN930 x 2 (Optional)	Telit LN930 x 1 (Optional)
Function Keys	x2	
LED Indicators	x2	
Speaker	3W x1	
Internal Mic	x1	
Power Requirement	DC 12V	
Security	Smart Card Reader x2 (Optional), RFID x1 (Optional)	

Display

Display Size	11.6" 16:9 Widescreen LED Panel
Resolution	FHD 1920 x 1080
Max. Colors	16.7M
Contrast Ratio	800:1
Luminance (cd/m2)	600nits

I/O

USB	USB 3.0 (Type-A) x1, USB 2.0 (Type-A) x1
Ethernet	Gigabit LAN x1
DC-In	DC-In Jack x1
Docking	Docking Connector x1

Battery Pack

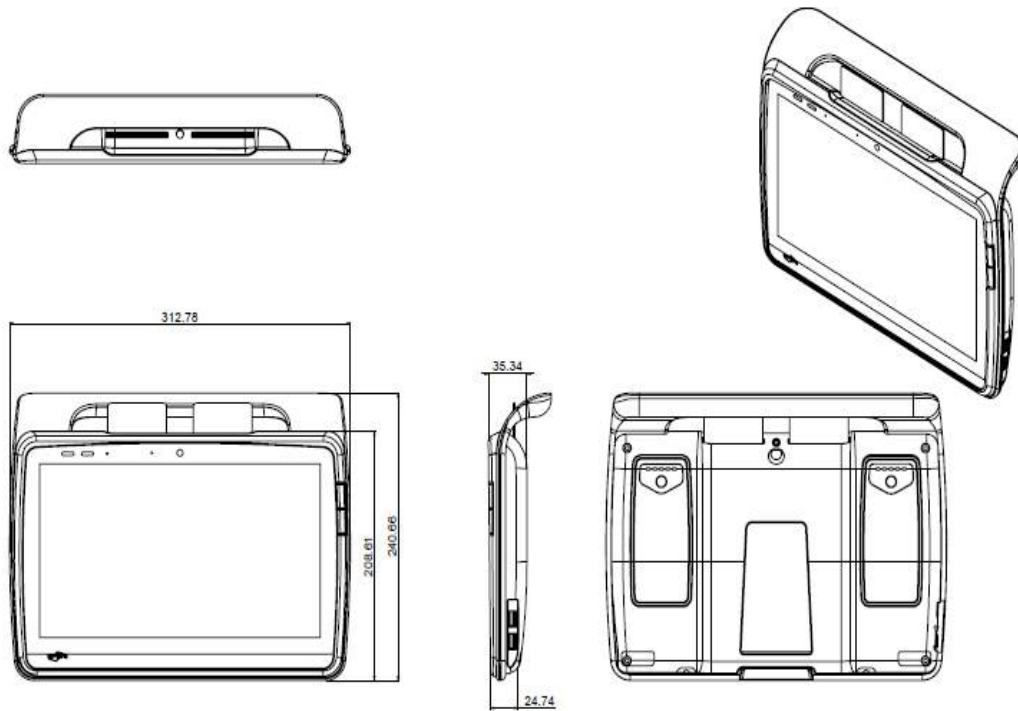
Battery Type	Lithium-ion	
Battery Capacity	4545 mAh (32.72Wh) x2	
Battery Run Time	Approx. 8 hrs	Approx. 3.5 hrs

Mechanical and Environmental

VESA	VESA 75 via docking station
Operating Temperature	-10°C ~ 55°C (14°F ~ 131°F)
Storage Temperature	-20°C ~ 60°C (-4°F ~ 140°F)
Storage Humidity	10%~95%@35°C, non-condensing
Dimensions	312 (W) x 239 (H) x 37 (D) mm
Net Weight	Approx. 1.45~1.8 kg

Certifications	CE: EN 60601-1-2:2015(V4.0), EN 60601-1:2006/A1:2013(V3.1) EN 300 328 (V2.1.1), EN 301 893 (V2.1.1) FCC: Part 18 Class B, Part 15 C/E UL: ANSI/AAMI ES60601-1:2012 (V3.1) cUL: CAN/GSA-C22.2 No. 60601-1:2014 (V3.1)
----------------	---

Dimensions / Unit: mm



Ordering Information

- » ONYX-MD116ST-A1-1011
11.6" FHD 600 nits, Gorilla PCT, Apollo Lake N4200, 4 GB RAM, 64 GB SSD, Dual Camera, Dual SCR, RFID, WiFi/BT, Dual Battery, Power Adapter; no GPS/LTE or OS.
- » ONYX-MD116IST-A1-1011
11.6" FHD 600 nits, Gorilla PCT, Sky Lake Core i5, 4 GB RAM, 64 GB SSD, Dual Camera, Dual SCR, RFID, WiFi/BT, Dual Battery, Power Adapter; no GPS/LTE or OS.